



ENERG Y IJA
енергия · ενεργεια IE IA

Marshall

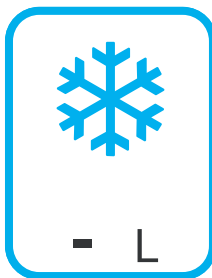
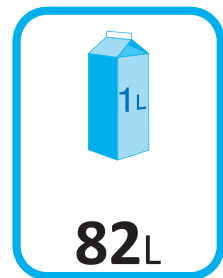
MF3.2BLK- EU



A+

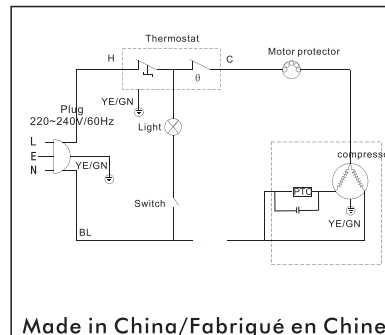
ENERGIA · ЕНЕРГИЯ
ΕΝΕΡΓΕΙΑ · ENERGIJA
ENERGY · ENERGIE · ENERGI

110
kWh/annum



2010/1060

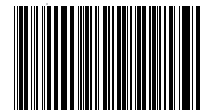
Refrigerator MF3.2BLK-EU *Marshall*



Made in China/Fabriqué en Chine

Climate	N
Protection classification of electric shock resistance	I
Capacity	82L
Rated voltage	220-240V
Rated frequency	50Hz
Rated input current	0.6A
Rated power of light	Max 3W
Energy consumption	0,301kWh/24h
Noise	36dB
Refrigerant	R600a (24g)
Net weight	23kg
Blowing gas	cyclopentane

Jam Industries Ltd.
21000 Trans Canadienne,
Baie D'Urfe, Quebec, Canada
H9X4B7



3200331903081001